

LAYOUT



No.	IPC	IRC	Description
1	405.3.1	307.1	Clearance in front of fixtures* must be at least 21".
2	405.3.1	307.1	Fixtures* can not be set closer than 15" from its center to any side wall, partition, or other fixtures.
3	405.3.1	307.1	Fixtures* can not be placed closer than 30" center-to-center between adjacent fixtures.

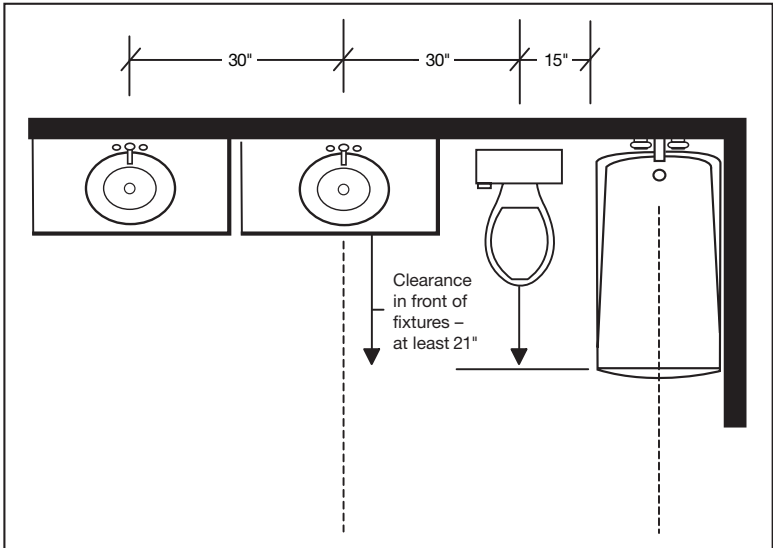
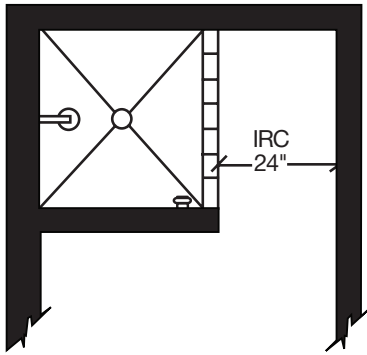
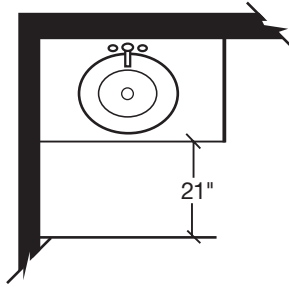
*Fixtures include water closets, urinals, lavatories, and bidets.

YOU SHOULD KNOW: IRC 307 AND 305

- Section 307 of the International Residential Code book covers water closet, bath, and shower spaces.
- Section 305 of the International Residential Code book covers ceiling height requirements required at front clearance of plumbing fixtures.

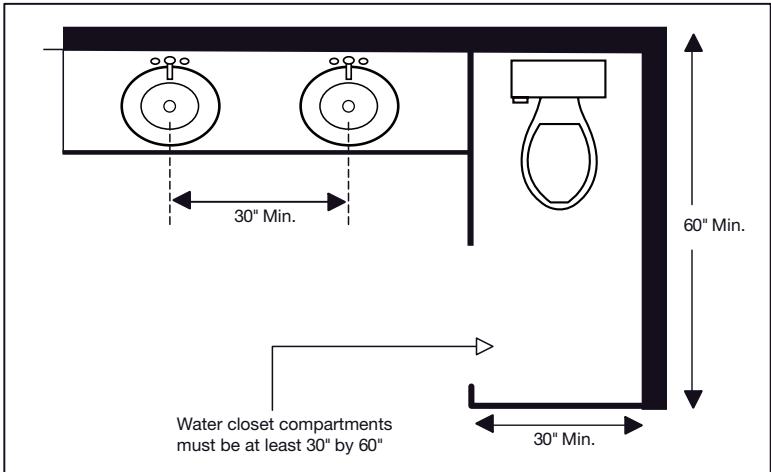
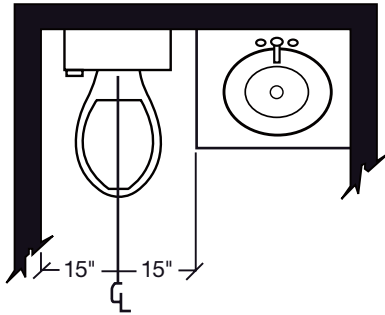
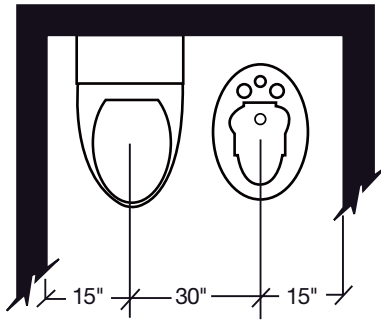
BATHROOM

Minimum Code Requirements – IPC 405.3.1 and IRC 307.2



BATHROOM

Minimum Code Requirements – IPC 405.3.1 and IRC 307.2



Illustrations represent typical residential installations and depict the MINIMUM requirements established by Code. Designers recommend adding 2 - 4" to the code requirements.

BATHROOM

Vent and Drain Options

VENT AND DRAIN OPTIONS

The diagram illustrates three vent and drain configurations for a bathroom. Option 1 shows a trap with a distance from the vent. Option 2 shows a shared vent for multiple traps. Option 3 shows individual vents for two traps. Labels include Lavatory, Water Closet Flange, Building Drain, and Bathtub.

No.	IPC	IRC	Description
1	906.1	3105.1	Allowable distance of the trap from the vent is based on the pipe size. (See Table on page 64)
2	903.1	3107.1	A vent system serving each building drain must have at least one pipe that extends to the outdoors. (See additional requirements on page 26)
3	908.1	3107.1	An individual vent is allowed to vent two traps or trapped fixtures. (See additional requirements in the IPC Section 908/909 and IRC 3107 and 3108)

YOU SHOULD KNOW:

- **IPC 910.2 & IRC 3109.3:** Offsets are not allowed in waste stack vents between the lowest fixture drain and the highest fixture drain. NOTE: Waste stack vents shall not receive discharge from water closets or urinals.
- **IPC 909 & IRC 3108.1:** Horizontal wet vents, those drainage pipes that serve as both drain and vent purposes, are allowed for any combination of fixtures within two bathroom groups located on the same floor.

DRAIN PIPES - IPC 706.3 & IRC 3005.1			
Fitting Type	Horizontal to Vertical	Vertical to Horizontal	Horizontal to Horizontal
Sixteenth Bend (22.5°)			
Eighth Bend (45°)			
Sixth Bend (60°)			
Quarter Bend (90°)		 2" or smaller fixture drains only	 2" or smaller fixture drains only
Short Sweep		 2" or smaller fixture drains or 3" or larger	 2" or smaller fixture drains only
Long Sweep			
Sanitary Tee			
Wye			
Combo Wye and 1/8 Bend			
Fittings must be oriented to guide the flow of drainage.			