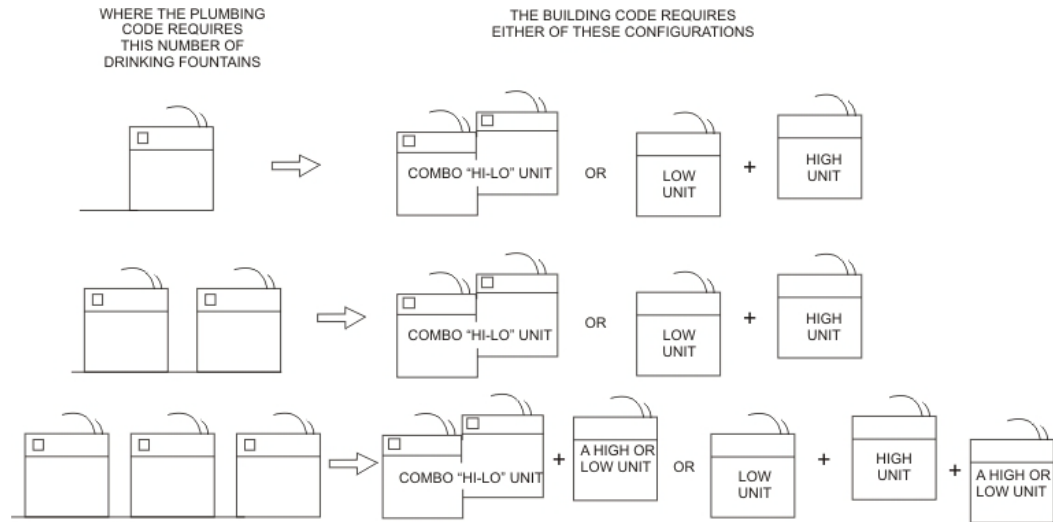


# Contents

<b>Overview</b> .....	<b>1</b>
Description .....	1
Goal .....	1
Objectives .....	1
Target Audience .....	1
Explanation of Icons .....	2
Margin Designation Within Code Book .....	3
General Framework .....	4
<b>Module 1—Administration and General Regulations</b> .....	<b>7</b>
<b>Chapter 1—Administration</b> .....	<b>7</b>
Overview .....	7
General—Section 101 .....	8
Applicability—Section 102 .....	8
Duties and Powers of the Code Official—Section 104 .....	9
Approval—Section 105 .....	9
Permits—Section 106 .....	10
Inspections and Testing—Section 107 .....	10
Violations—Section 108 .....	10
Means of Appeal—Section 109 .....	10
<b>Chapter 2—Definitions</b> .....	<b>11</b>
Overview .....	11
General Definitions—Section 202 .....	11



**Figure 28: Required Drinking Fountains and Configurations**

### Section 410.3 – Substitution

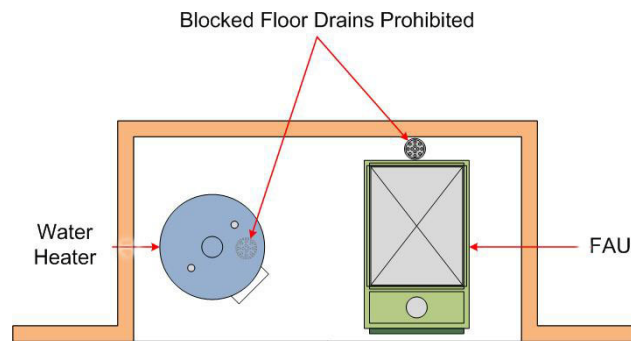
This new section was created to better address where substitutions for drinking fountains can be made.

---

## Floor and Trench Drains—Section 412

### Section 412.2 – Floor drains

Floor drains must have ready access. An exception is added to allow floor drains serving refrigerated display cases to only require access to the floor drain (see Figure 29).



**Figure 29: Floor Drains Do Not Have Ready Access**